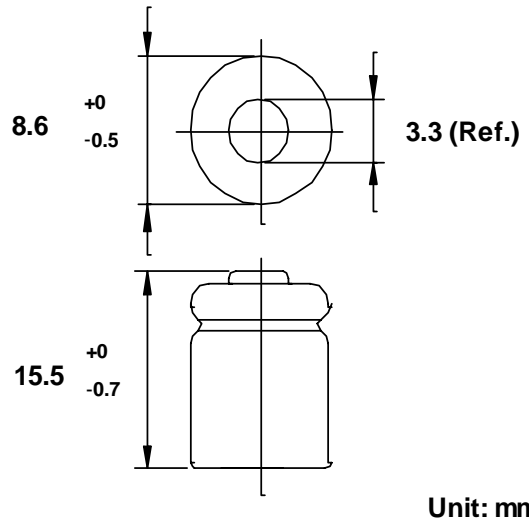
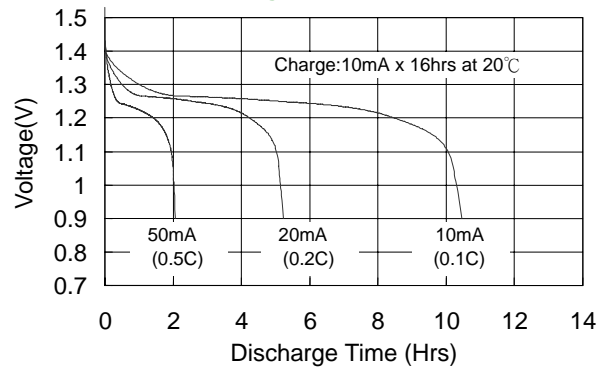


Model No.: GP10AAA AH

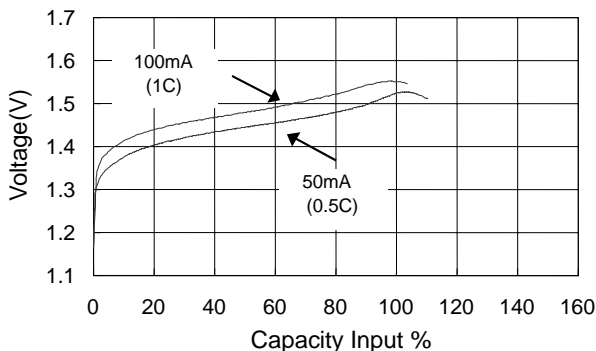
Type	: Rechargeable Nickel Metal Hydride Cylindrical Cell
Nominal Dimension (with Sleeve)	: $\Phi = 8.6\text{mm}$ H = 15.5mm
Applications	: Recommended discharge current 10 to 300 mA
Nominal Voltage	: 1.2V
Capacity	: Nominal: 100mAh Minimum: 100mAh Typical: 105mAh When discharged at 20mA to 1.0V at 20°C
Charging Condition	: 10mA for 16 hrs at 20°C
Fast Charge	: 50mA to 100mA (0.5 to 1C) charge termination control recommended control parameters: - ΔV : 0-5mV **DT/dt : 0.8°C/min (0.5 to 0.9C) 0.8 - 1°C/min (1C) **TCO : 45 - 50°C **Timer : 105% nominal input **for ref. only
Service Life	: >500 cycles (IEC standard)
Continuous Overcharge	: 10mA maximum current for 1 year. No conspicuous deformation and/or leakage
Weight	: 2.6g
Internal Resistance	: Maximum 500m Ω upon fully charged at 1000Hz
Max. Charging Voltage	: 1.5V at 10mA charging
Ambient Temperature Range	: Standard Charge : 0 to 45°C Fast Charging : 10 to 45°C Discharge : -20 to 50°C Storage : -20 to 35°C



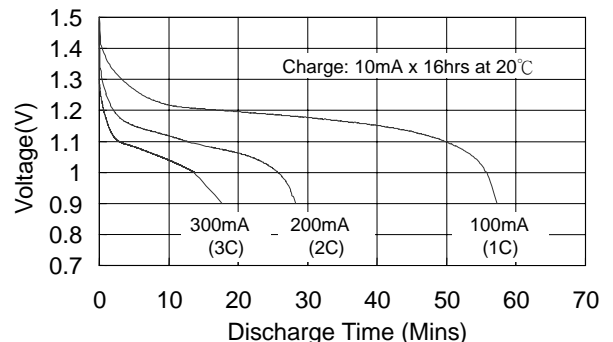
Low Rate Discharge



Fast Charge (Charge Control Required)



High Rate Discharge



The information (subject to change without prior notice) contained in this document is for reference only and should not be used as a basis for product guarantee or warranty. For applications other than those described here, please consult your nearest GP Sales and Marketing Office or Distributors.