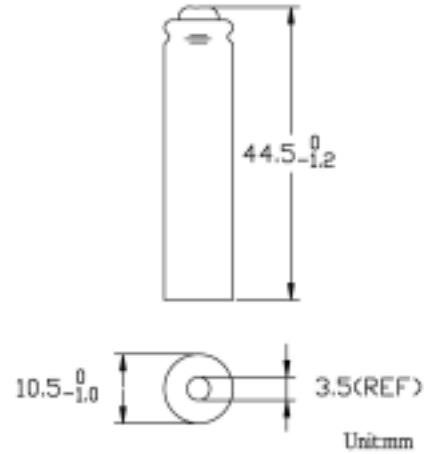
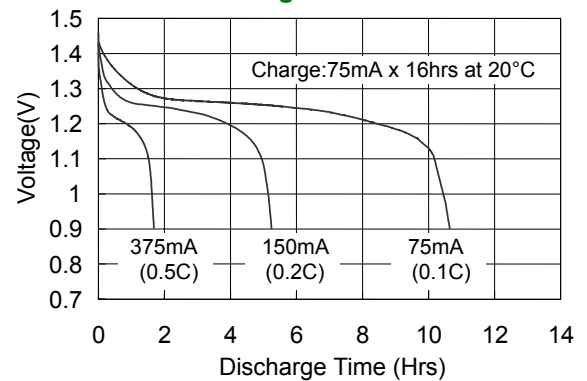


Type	: Rechargeable Nickel Metal Hydride Cylindrical Cell
Nominal Dimension (with Sleeve)	: $\Phi = 10.5\text{mm}$ H = 44.5mm
Applications	: Recommended discharge current 75 to 2250mA
Nominal Voltage	: 1.2V
Capacity	: Nominal: 750mAh Minimum: 730mAh Typical: 750mAh When discharged at 150mA to 1.0V at 20°C
Charging Condition	: 75mA for 16 hrs at 20°C
Fast Charge	: 375mA to 750mA (0.5 to 1C) charge termination control recommended control parameters: - ΔV : 0-5mV **DT/dt : 0.8°C/min (0.5 to 0.9C) 0.8 - 1°C/min (1C) **TCO : 45 - 50°C **Timer : 105% nominal input ** for ref. only
Service Life	: >500 cycles (IEC standard)
Continuous Overcharge	: 75mA maximum current for 1 year. No conspicuous deformation and/or leakage
Weight	: 13.0g
Internal Resistance	: Average 35m Ω upon fully charged (Range 20 - 40m Ω) at 1000Hz
Max. Charging Voltage	: 1.5V at 75mA charging
Ambient Temperature Range	: Standard Charge : 0 to 45°C Fast Charging : 10 to 45°C Discharge : -20 to 50°C Storage : -20 to 35°C

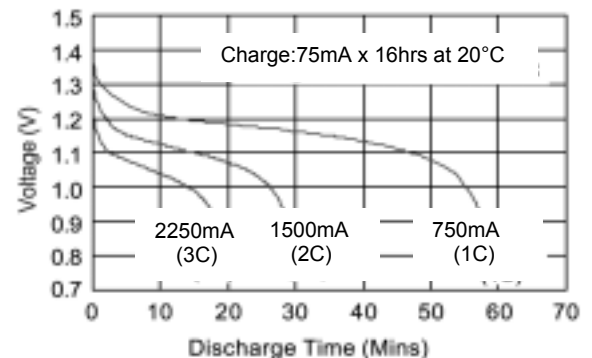
Model No.: **GP75AAAHC**



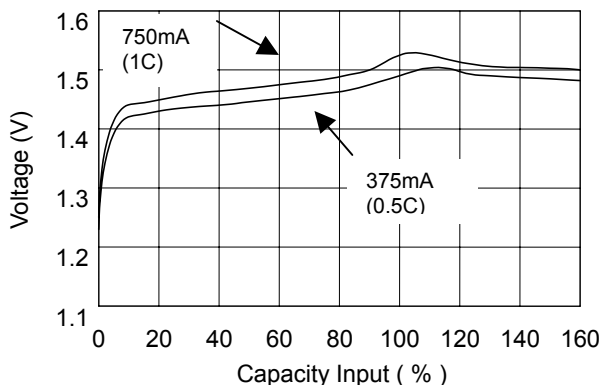
Low Rate Discharge



High Rate Discharge



Fast Charge (Charge control required)



The information (subject to change without prior notice) contained in this document is for reference only and should not be used as a basis for product guarantee or warranty. For applications other than those described here, please consult your nearest GP Sales and Marketing Office or Distributors.