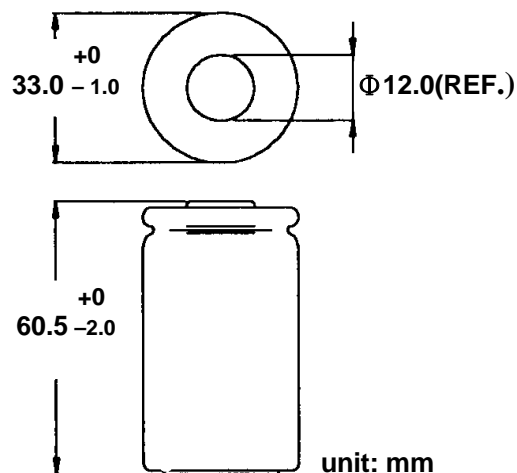
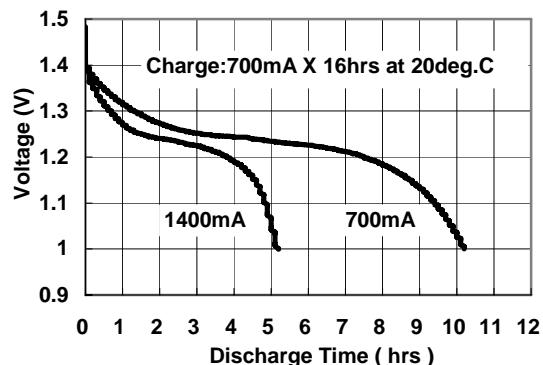


Model No.: GP700DHT

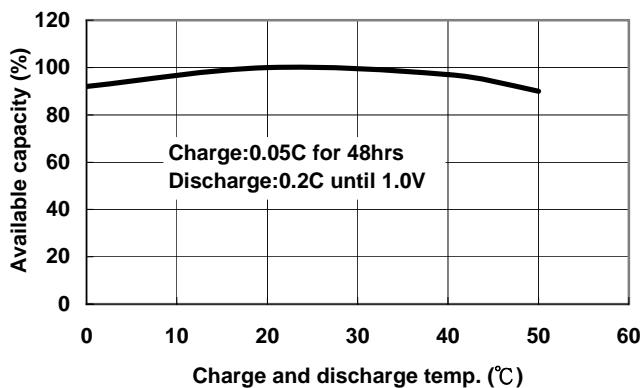
Type	: High Temperature Rechargeable Nickel Metal Hydride Cylindrical Cell
Nominal Dimension (with Sleeve)	: $\Phi = 33.0\text{mm}$ H = 60.5mm
Applications	: Long term standby use. Recommended discharge current: 700mA to 3500mA
Nominal Voltage	: 1.2V
Capacity	: Nominal: 7000mAh Minimum: 7000mAh Typical: 7350mAh When discharged at 1400mA to 1.0V at 20°C
Charging Condition	: Standard mode: 700mA for 16 hrs at 20°C Standby intermittent mode: 700mA for 16 hrs at 20°C then maintenance with 700mA for 1min/10mins.
Service Life	: >350 cycles (IEC 61951-2)
Continuous	: Comply with IEC 61951-2
Overcharge	Permanent Charge Endurance Test
Weight	: 146.0g
Internal Resistance	: Average 10 m Ω upon fully charged (Range 6-14 m Ω) at 1000Hz
Max. Charging Voltage	: 1.5V at 700mA charging
Ambient Temperature Range	: Charge: 0 to 50°C Discharging: -20 to 70°C Storage: -20 to 35°C Storage (1 week): -20 to 60°C



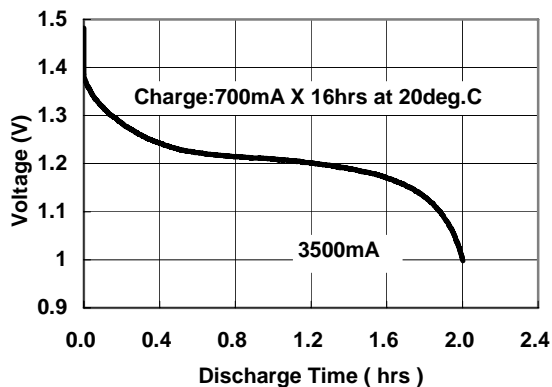
Low Rate Discharge



Charge / Discharge efficiency Vs. temp.



High Rate Discharge



The information (subject to change without prior notice) contained in this document is for reference only and should not be used as a basis for product guarantee or warranty. For applications other than those described here, please consult your nearest GP Sales and Marketing Office or Distributors.