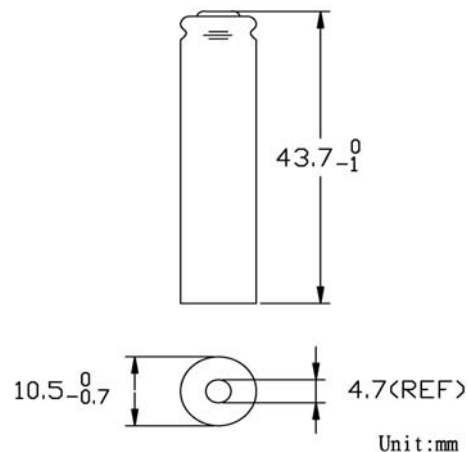
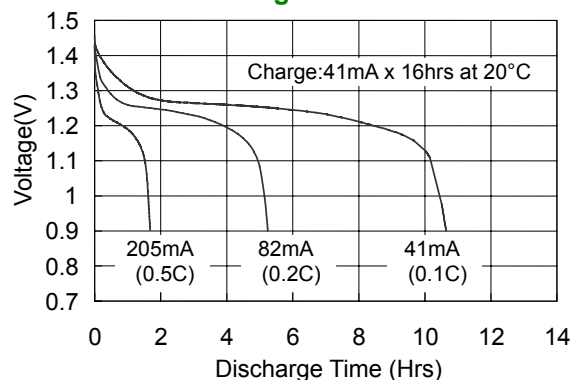


Model No.: **GP41AAH**

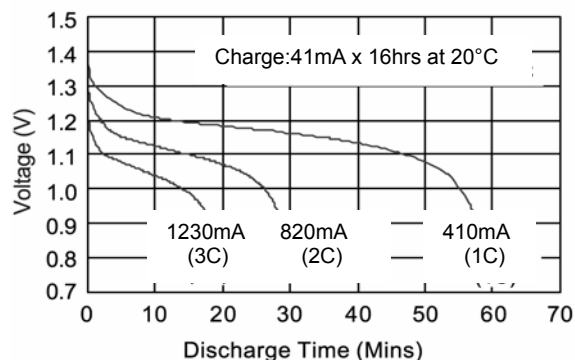
Type	: Rechargeable Nickel Metal Hydride Cylindrical Cell
Nominal Dimension (with Sleeve)	: $\Phi = 10.5\text{mm}$ H = 43.7mm
Applications	: Recommended discharge current 41 to 1230mA
Nominal Voltage	: 1.2V
Capacity	: Nominal: 400mAh Minimum: 400mAh Typical: 425mAh When discharged at 82mA to 1.0V at 20°C
Charging Condition	: 41mA for 16 hrs at 20°C
Fast Charge	: 205mA to 410mA (0.5 to 1C) charge termination control recommended control parameters: - ΔV : 0-5mV **DT/dt : 0.8°C/min (0.5 to 0.9C) 0.8 - 1°C/min (1C) **TCO : 45 - 50°C **Timer : 105% nominal input ** for ref. only
Service Life	: >500 cycles (IEC standard)
Continuous Overcharge	: 41mA maximum current for 1 year No conspicuous deformation and/or leakage
Weight	: 11.7g
Internal Resistance	: Average 50m Ω upon fully charged (Range 40 - 60m Ω) at 1000Hz
Max. Charging Voltage	: 1.5V at 41mA charging
Ambient Temperature Range	: Standard Charge : 0 to 45°C Fast Charging : 10 to 45°C Discharge : -20 to 50°C Storage : -20 to 35°C



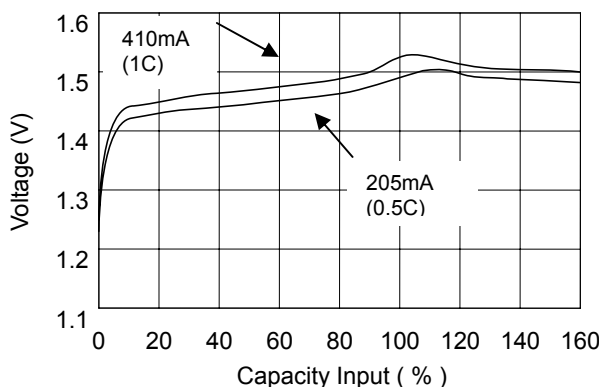
Low Rate Discharge



High Rate Discharge



Fast Charge (Charge control required)



The information (subject to change without prior notice) contained in this document is for reference only and should not be used as a basis for product guarantee or warranty. For applications other than those described here, please consult your nearest GP Sales and Marketing Office or Distributors.