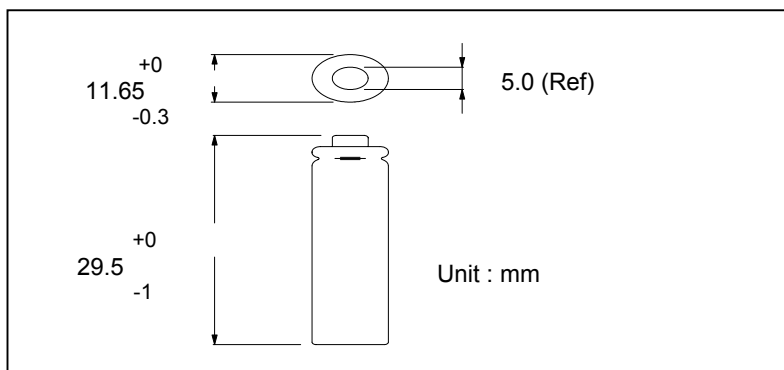


GP Batteries

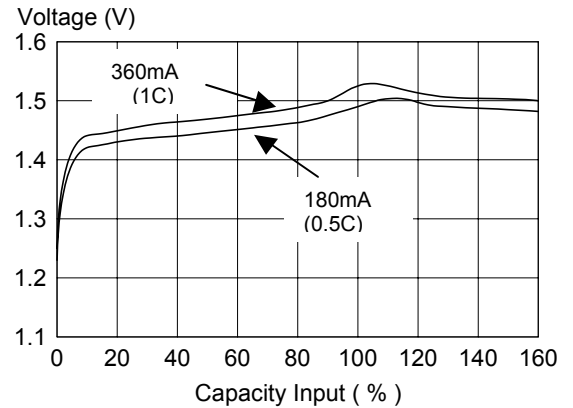
Data Sheet

Model No.: GP36NH

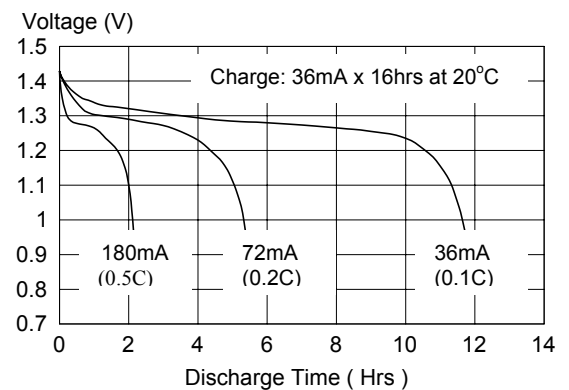
Type	: Rechargeable Nickel Metal Hydride Cylindrical Cell
Nominal Dimension (with Sleeve)	: $\Phi = 11.65$ mm H = 29.50 mm
Applications	: Recommended discharge current 36 to 1080 mA
Nominal Voltage	: 1.2V
Capacity	: Minimum: 360 mAh Typical: 380 mAh when discharged at 0.2C to 1.0V at 20°C
Charging Condition	: 36 mA for 16 hrs at 20°C
Fast Charge	: 180 mA to 360 mA (0.5 to 1C) charge termination control recommended control parameters: - ΔV : 0 - 5mV DT/dt ** : 0.8°C/min (0.5 to 0.9C) : 0.8 - 1°C/min (1C) TCO ** : 45 - 50°C Timer ** : 105% nominal input ** For reference only
Service Life	: >500 cycles (IEC standard)
Continuous Overcharge	: 36 mA maximum current for 1 year No conspicuous deformation and/or leakage
Weight	: 8.60 g
Internal Resistance	: Average 80 m Ω upon fully charged (Range 70 – 90m Ω)
Max. Charging Voltage	: 1.5V at 36 mA charging
Ambient Temperature Range	: Standard Charging : 0 to 45°C Fast Charging : 10 to 45°C Discharging : -20 to 50°C Storage : -20 to 35°C



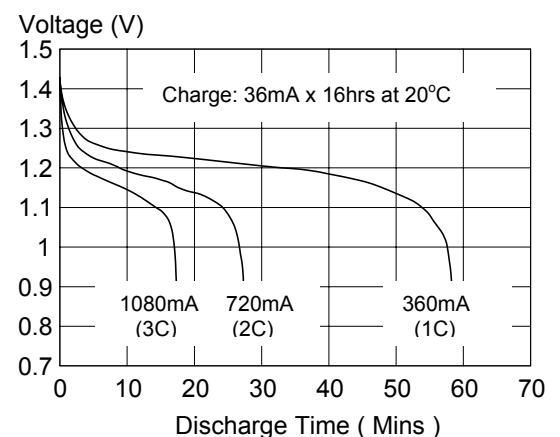
Fast Charge (charge control required)



Low rate discharge



High Rate Discharge



* The information (subject to change without prior notice) contained in this document is for reference only and should not be used as a basis for product guarantee or warranty. For applications other than those described here, please consult your nearest GP Sales and Marketing Office or Distributors.

