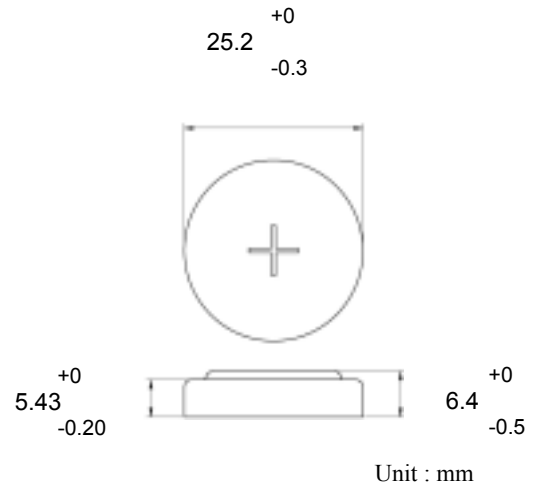
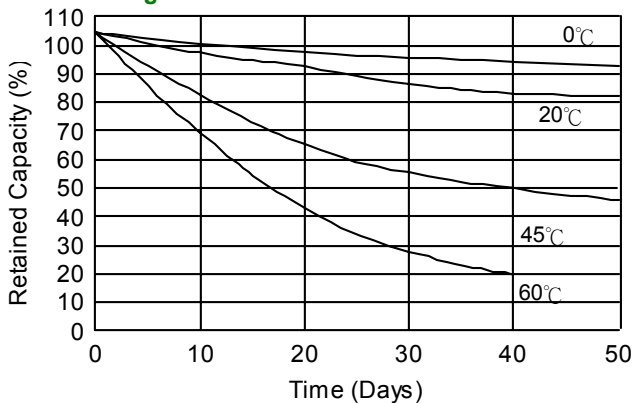


<b>Type</b>	: Rechargeable Nickel Metal Hydride Button Cell
<b>Nominal Dimension (with Sleeve)</b>	: $\Phi = 25.2\text{mm}$ H = 6.4mm
<b>Applications</b>	: Recommended discharge current 2.5 to 125 mA
<b>Nominal Voltage</b>	: 1.2V
<b>Capacity</b>	: Nominal: 250mAh Minimum: 250mAh Typical: 280mAh When discharged at 0.2C to 1.0V at 20°C
<b>Charging Condition</b>	: 28 mA for 16 hrs at 20°C
<b>Service Life</b>	: >500 cycles (IEC standard)
<b>Continuous Overcharge</b>	: 28 mA maximum current for 1 year No conspicuous deformation and/or leakage
<b>Weight</b>	: 10.9g
<b>Internal Resistance</b>	: Under 200 m $\Omega$ upon fully charged
<b>Max. Charging Voltage</b>	: 1.5V at 25mA charging
<b>Ambient Temperature Range</b>	: Standard Charging : 0 to 45°C Discharging : 0 to 45°C Storage : -20 to 45°C

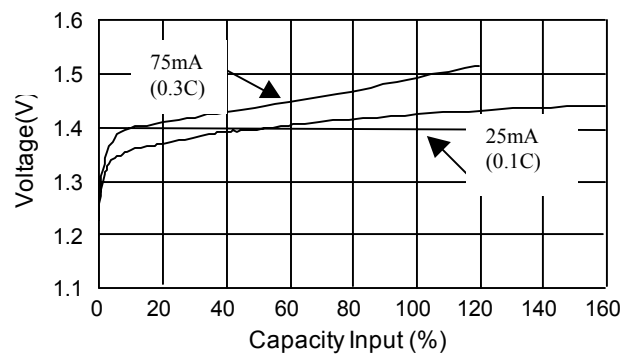
### Model No.: GP250BVH



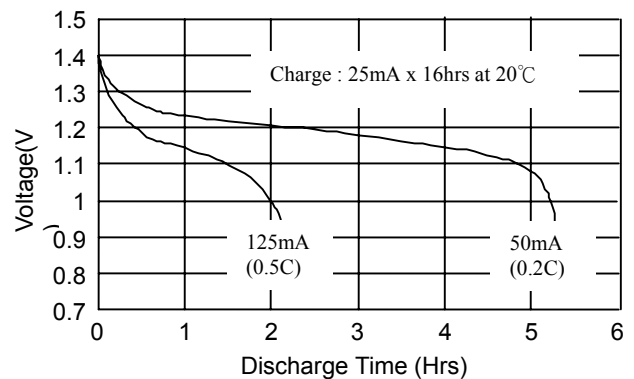
#### Charge Retention Characteristics



#### Charge Characteristics



#### Discharge Characteristics



The information (subject to change without prior notice) contained in this document is for reference only and should not be used as a basis for product guarantee or warranty. For applications other than those described here, please consult your nearest GP Sales and Marketing Office or Distributors.