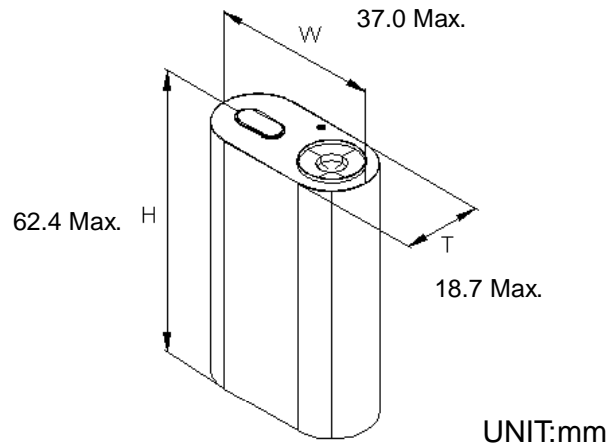
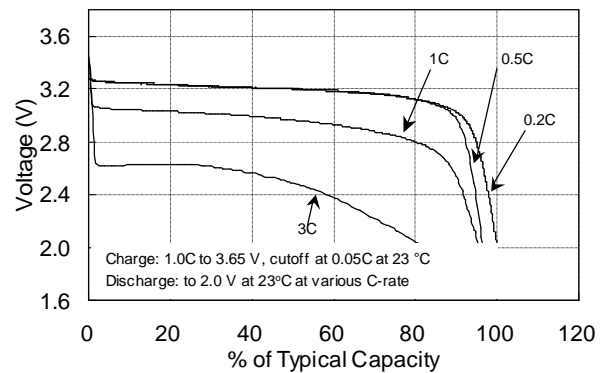


Model No.: **183662A310R**

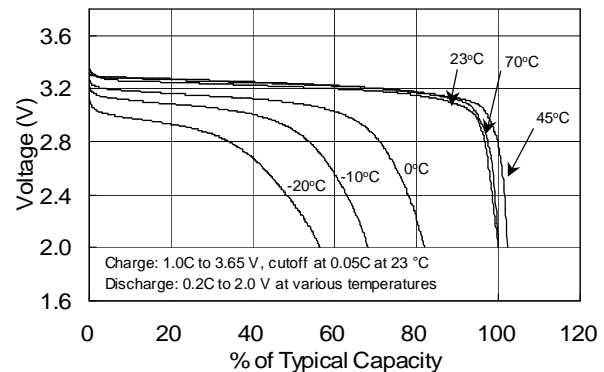
<b>Type</b>	: Rechargeable Lithium Ion Prismatic Cell
<b>Nominal Dimension (without label/sleeve)</b>	: Width = max. 37.0 mm Height = max. 62.4 mm Thickness (shipment) = 18.7 mm * Thickness (after 1000th cycle) = 19.7 mm
<b>Applications</b>	: Recommended discharge current 620 to 9300 mA
<b>Nominal Voltage</b>	: 3.2V
<b>Capacity</b>	: Typical: 3100 mAh Minimum: 2900 mAh When discharged at 620 mA to 2.0 V at 23 °C
<b>Charge Condition</b>	: 3100 mA to 3.65V, cutoff at 0.05C at 23 °C
<b>Recommended Charging Condition in Applications</b>	: 620 mA to 4650 mA (0.2 to 1.5C) Charge termination control recommend control parameters: Taper current 0.05C at 3.65 V
<b>Clamped Charging Voltage</b>	: 3.65 V +/- 0.05 V
<b>Service Life</b>	: >1000 cycles (70% of minimum capacity)
<b>Weight</b>	: Approx. 78.0 g
<b>Internal Resistance</b>	: 100 mΩ max. at 1000Hz
<b>Ambient Temperature Range</b>	: Charging : 0 to 60 °C Discharging : -20 to 70 °C ** Storage (1 week) : -20 to 35 °C Storage (3 months) : -20 to 25 °C
<b>Note</b>	: * The "Thickness (shipment)" is the maximum value without label/sleeve of the standard charging condition (30 % state of charge).
<b>Precaution</b>	: ** 70 °C is only applied during 1C or lower discharging current



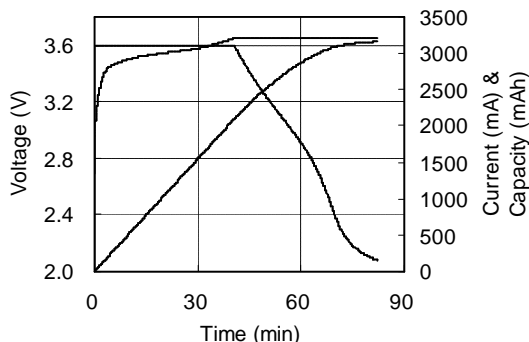
Discharge at Different C-rate



Discharge at Different Temperature



Charging Characteristics



The information (subject to change without prior notice) contained in this document is for reference only and should not be used as a basis for product guarantee or warranty. For applications other than those described here, please consult your nearest GP Sales and Marketing Office or Distributors.