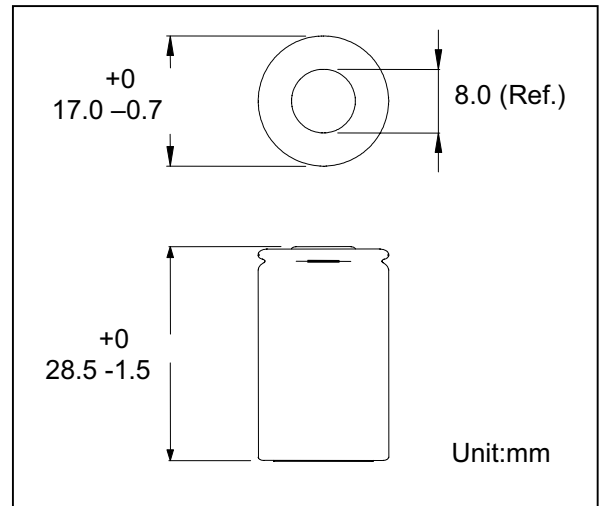
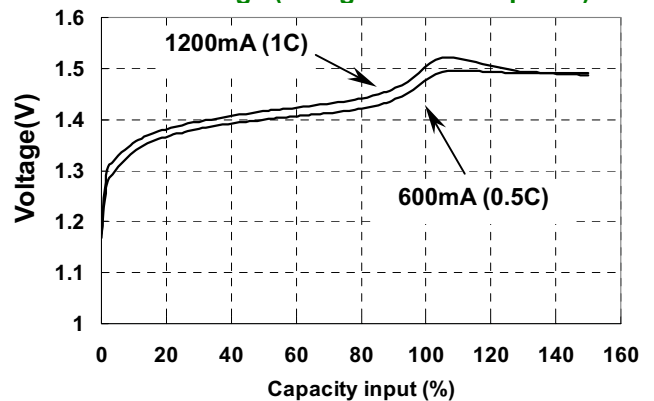


Type	: Rechargeable Nickel Metal Hydride Cylindrical Cell
Nominal Dimension (with Sleeve)	: $\Phi = 17.0\text{mm}$ H = 28.5mm
Applications	: Recommended discharge current 120mA to 15A(continuous)
Nominal Voltage	: 1.2V
Capacity	: Nominal: 1200mAh Minimum: 1200mAh Typical: 1250mAh When discharged at 1200mA to 1.0V at 20°C
Charging Condition	: 120mA for 16 hrs at 20°C
Fast Charge	: 600mA to 1200mA (0.5 to 1C) with charge termination control recommended control parameters: - ΔV : 0-5mV DT/dt : 0.8°C/min (0.5 to 0.9C) 0.8 - 1°C/min (1C) TCO : 40 - 45°C Timer : 105% nominal input (for ref. only)
Service Life	: >500 cycles (IEC61951-2)
Continuous Overcharge	: 120mA maximum current for 1 year. No conspicuous deformation and/or leakage
Weight	: 23.90g
Internal Resistance	: Average 5m Ω upon fully charged (Range 4 – 9m Ω) at 1000Hz
Max. Charging Voltage	: 1.5V at 120mA charging
Ambient Temperature Range	: Standard Charge : 0 to 40°C Fast Charging : 10 to 40°C Discharge : -20 to 50°C Storage : -20 to 35°C Storage(1week) : -20 to 60°C

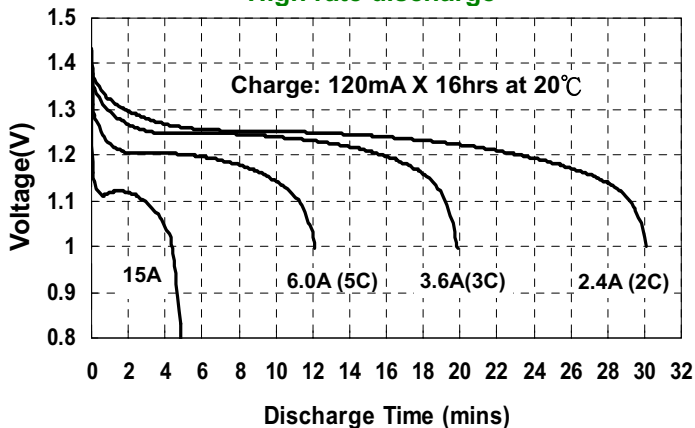
Model No.: GP130AFHR



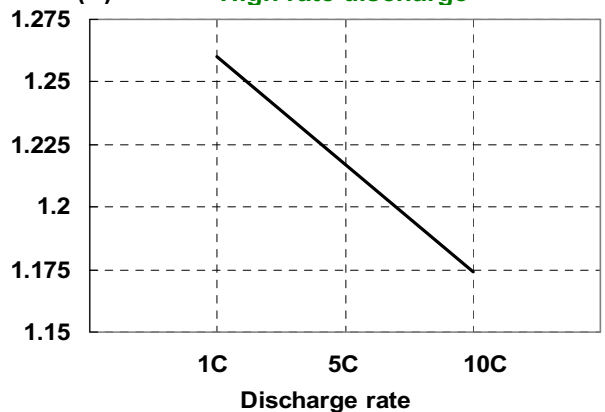
Fast Charge (charge control required)



High rate discharge



MPV (V) High rate discharge



The information (subject to change without prior notice) contained in this document is for reference only and should not be used as a basis for product guarantee or warranty. For applications other than those described here, please consult your nearest GP Sales and Marketing Office or Distributors.