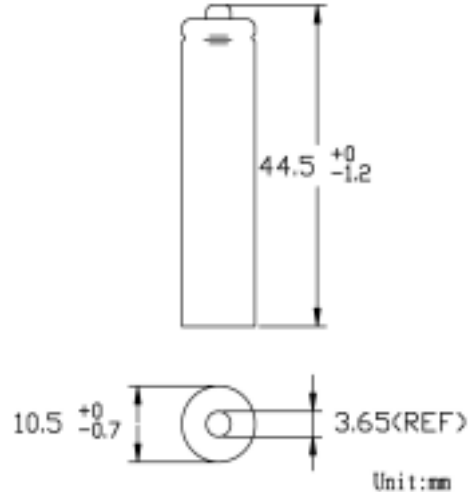
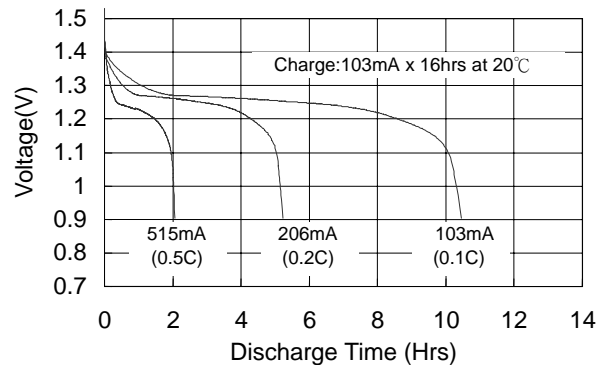


Model No.: GP110AAHC

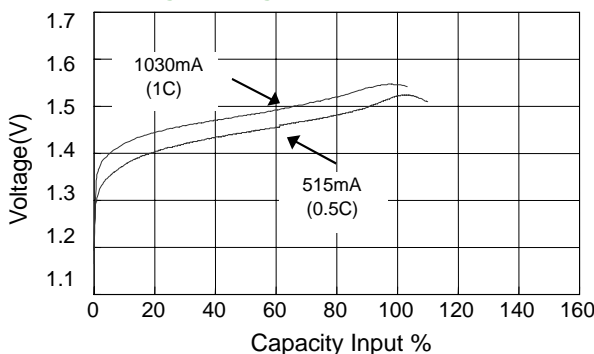
Type	: Rechargeable Nickel Metal Hydride Cylindrical Cell
Nominal Dimension (with Sleeve)	: $\Phi = 10.5\text{mm}$ H = 44.5mm
Applications	: Recommended discharge current 103 to 3090 mA
Nominal Voltage	: 1.2V
Capacity	: Nominal: 1030mAh Minimum: 1030mAh Typical: 1070mAh When discharged at 206mA to 1.0V at 20°C
Charging Condition	: 103mA for 16 hrs at 20°C
Fast Charge	: 515mA to 1030mA (0.5 to 1C) charge termination control recommended control parameters: - ΔV : 0-5mV **DT/dt : 0.8°C/min (0.5 to 0.9C) 0.8 - 1°C/min (1C) **TCO : 45 - 50°C **Timer : 105% nominal input **for ref. only
Service Life	: >500 cycles (IEC standard)
Continuous Overcharge	: 103mA maximum current for 1 year. No conspicuous deformation and/or leakage
Weight	: 15.2g
Internal Resistance	: Average 40m Ω upon fully charged (Range 24 - 55m Ω) at 1000Hz
Max. Charging Voltage	: 1.5V at 103mA charging
Ambient Temperature Range	: Standard Charge : 0 to 45°C Fast Charging : 10 to 45°C Discharge : -20 to 50°C Storage : -20 to 35°C



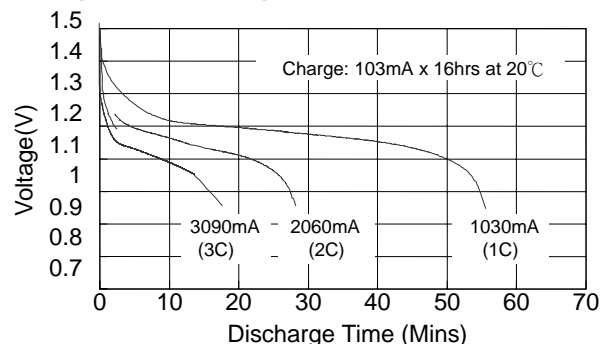
Low Rate Discharge



Fast Charge (Charge Control Required)



High Rate Discharge



The information (subject to change without prior notice) contained in this document is for reference only and should not be used as a basis for product guarantee or warranty. For applications other than those described here, please consult your nearest GP Sales and Marketing Office or Distributors.