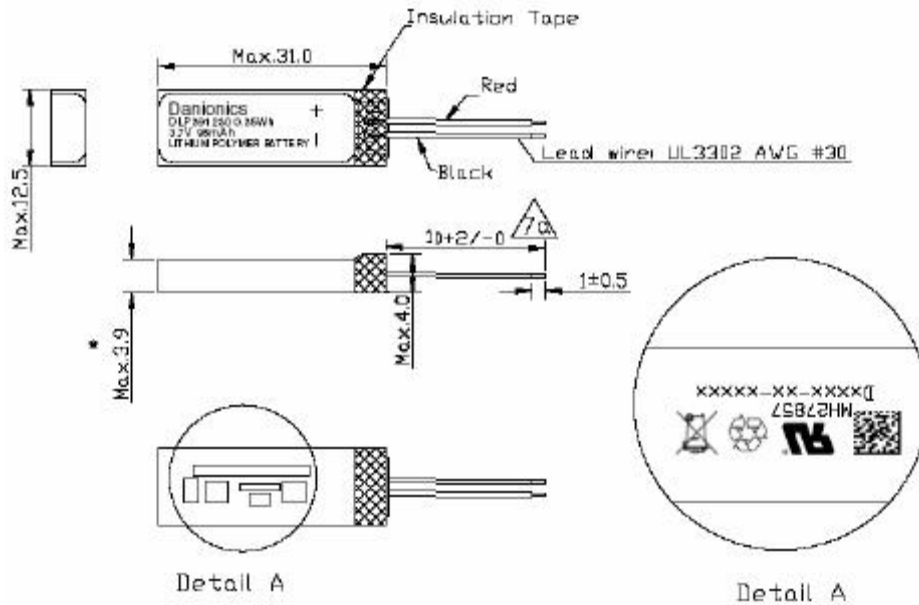


### Soft Pack - DLP391230-A00C+0144



#### Pack characteristics

Battery Configuration	1S1P
Nominal Voltage	3.7V
Maximum Charge Voltage	4.2V
Discharge Cut-off Voltage	3.0V
Typical Capacity	105mAh at 0.2C
Charge Method	CC-CV
Standard charge current	52.5mA
Maximum charging current	105mA
Operating Temperature	0°C ~ 45°C (Charging) -10°C ~ 60°C (Discharging)
Storage Temperature	-20°C ~ 30°C (1 year) Max. 55°C (1 month)

#### Protection limits \*

Over charge detection voltage	4.30V +/-0.050V
Over discharge detection voltage	2.40V +/- 0.1V
Over discharge current detection	2~4A
Short circuit protection	Yes

\* For Protection IC under 25°C