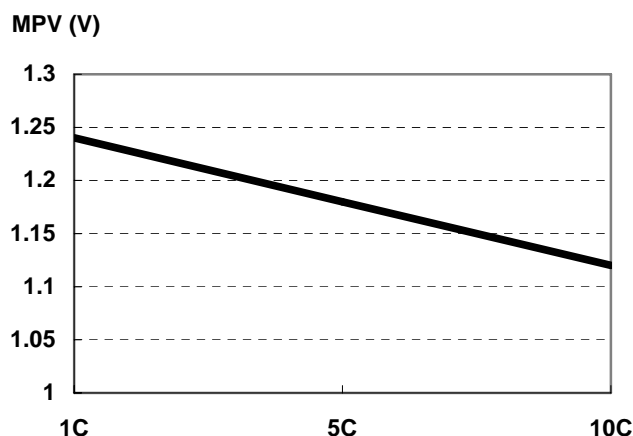
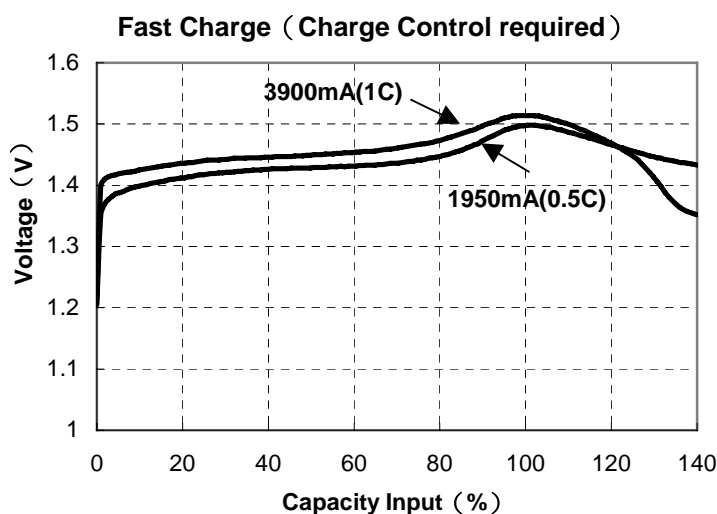
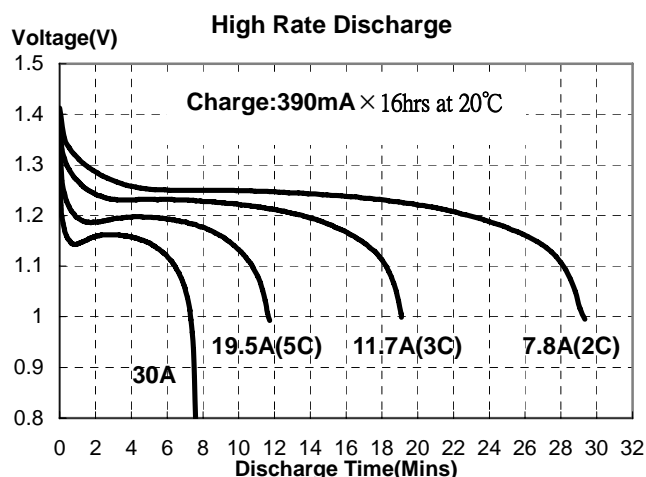
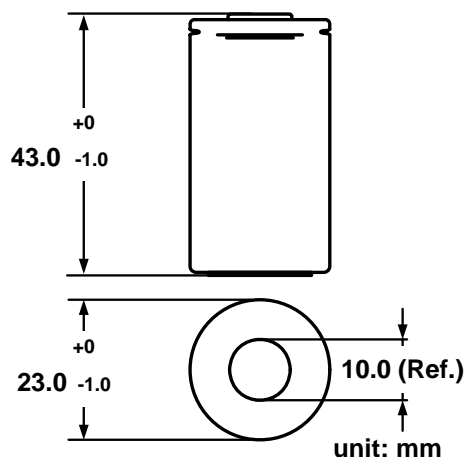


Type	: Rechargeable Nickel Metal Hydride Cylindrical Cell
Nominal Dimension (with Sleeve)	: $\Phi = 23.0\text{mm}$ H = 43.0mm
Applications	: Recommended discharge current 390mA to 30A
Nominal Voltage	: 1.2V
Capacity	: Nominal: 3900mAh Minimum: 3700mAh Typical: 4100mAh When discharged at 30A to 0.8V at 20°C
Charging Condition	: 390mA for 16hrs at 20°C
Fast Charge	: 2A to 6A charge termination control recommended control parameters: - ΔV : 0-5mV DT/dt : 0.8°C/min (0.5 to 0.9C) 0.8 - 1°C/min (>1C) TCO : 45 - 50°C Timer : 105% nominal input (for ref. only)
Continuous Overcharge	: 390mA maximum current for 1 year. No conspicuous deformation and/or Leakage
Weight	: 62.0-65.8g
Internal Resistance	: Average 4m Ω upon fully charged (Range 2-6m Ω) at 1000Hz
Max. Charging Voltage	: 1.5V at 390mA charging
Ambient Temperature Range ×	: Standard Charge : 0 to 40°C Fast Charging : 10 to 40°C Discharge : -20 to 50°C Storage : -20 to 35°C Storage (1week) : -20 to 60°C

Model No.: **GP430SCHR**



The information (subject to change without prior notice) contained in this document is for reference only and should not be used as a basis for product guarantee or warranty. For applications other than those described here, please consult your nearest GP Sales and Marketing Office or Distributors.