

GP Batteries

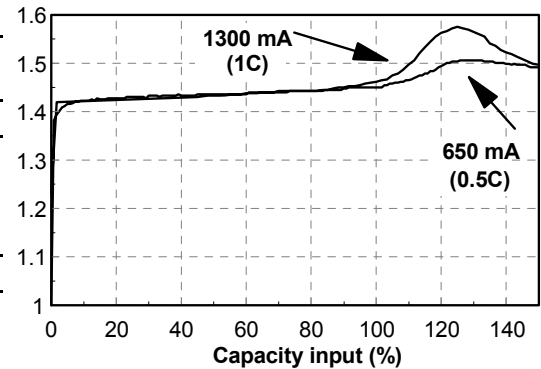
Data Sheet

Model No.: GP130SCK

Type	: Rechargeable Nickel Cadmium Cylindrical Cell
Nominal Dimension (with Sleeve)	: $\varnothing = 23.0\text{mm}$ H = 43.0mm
Application	: Discharge current 130mA to 6.5A
Nominal Voltage	: 1.2V
Capacity	: Nominal : 1300mAh Minimum : 1300mAh Typical : 1430mAh when discharged at 260mA to 1.0V at 20°C
Charging Condition	: 130mA for 16 hrs at 20°C
Fast Charge	: 650mA to 1300mA (0.5C to 1C) with charge termination control. Recommended control parameter : - ΔV : 10-20mV Timer : 120% nominal input (Secondary)
Service Life	: >500 cycles (IEC standard)
Continuous Overcharge	: 130mA maximum current for 1 year No conspicuous deformation and/or leakage
Weight	: 44.5g
Internal Resistance	: Average 7m Ω upon fully charged (Range :5-9m Ω) at 1000Hz
Max. Charging Voltage	: 1.5V at 130mA charging
Ambient Temperature Range	: Standard Charging : 0°C to 40°C Fast Charging : 10°C to 40°C Discharging : -20°C to 50°C Storage : -20°C to 35°C Storage (1 week) : -20°C to 60°C

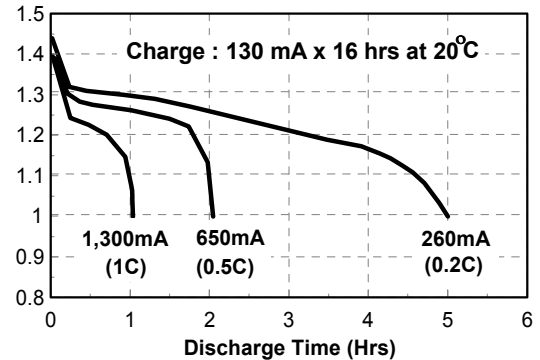
Fast Charge (Charge Control required)

Voltage (V)



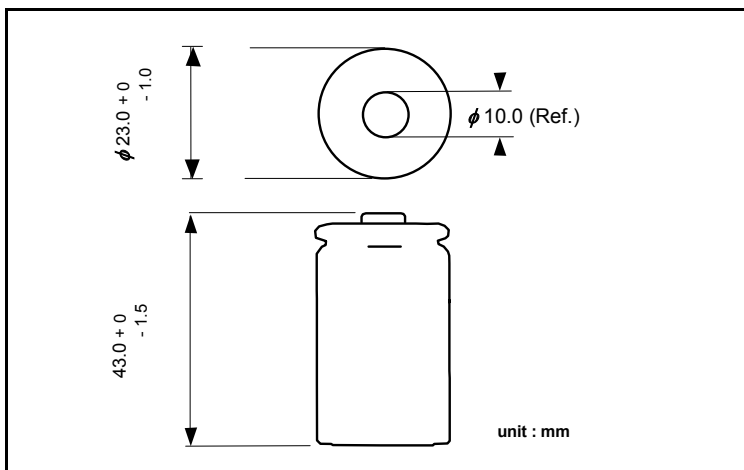
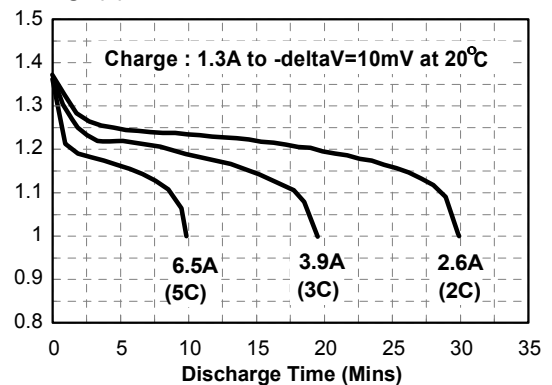
Low Rate Discharge

Voltage (V)



High Rate Discharge

Voltage (V)



* The information (subject to change without prior notice) contained in this document is for reference only and should not be used as a basis for product guarantee or warranty. For application other than those described here, please consult GP Sales and Marketing Office or Distributors.